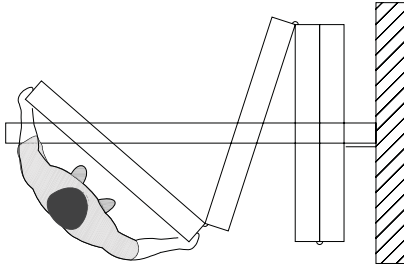


# SERIES 633 SPECIFICATIONS

## Manually Operated, Continuously Hinged (Train) Panels

### PRODUCT OVERVIEW:



**Top Supported**

**Center Stack**

**Continuously Hinged Panels**

**Manually Operated**

**Maximum Height:** 12'3" [3.7m]

**Maximum Opening Width:** 40'5-1/2" [12.33m]

**STC Ratings:** 41, 43, 47, 49, 51

**Select for Value:** Series 633 panels offer a wide choice of finish options, accessories, and sound control levels.

**Standard Features:** The panels have a steel frame, full height vertical edge protection, a selection of acoustic ratings, continuous contact top and bottom seals, and are a nominal 3-1/2" [89] thick.

**Continuously Hinged (Train) Panels:** Select for wall-to-wall space division. Panels are hinged together and are manually moved across the opening. Note that the operator will be pulling the weight of the partition when moving it in place; therefore, we recommend this model be used in smaller sized openings.

**How to Obtain:** Hufcor partitions are sold, installed, and serviced by factory-trained local authorized Distributors in the United States and by Licensees and Distributors outside the U.S.A.

**Delivery:** Panels are custom built for your specific project. Lead times vary due to seasonal fluctuations. Check with your Distributor for the current schedule.

**Warranty:** Track and panels are guaranteed for **two years** against defects in material and workmanship.

### "Standard" Product Features and Benefits:

Look for these features when comparing similar products.

- Feature:** Protective trim  
**Benefit:** It protects the panel edges and faces.
- Feature:** Carrier on each panel  
**Benefit:** Holds the weight of each panel and ensures smooth even operation. No rub or guide rails required.
- Feature:** Low profile hinges  
**Benefit:** Safety and aesthetics - no unsightly hinges protruding from the panel faces.
- Feature:** Interlocking vertical seal  
**Benefit:** Prevents sound leaks between panels.

Optional track systems, seals, and accessories enable the standard product to be modified for optimum versatility. See details provided or ask your Hufcor representative for the features you want.



# GENERAL SPECIFICATIONS/SERIES 633

## Manually Operated Continuously Hinged Operable Partitions

### PART 1 - GENERAL

#### 1.01 DESCRIPTION

##### A. General

1. Furnish and install operable partitions and suspension system.  
Provide all labor, materials, tools, equipment, and services for operable walls in accordance with provisions of contract documents.

#### 1.02 RELATED WORK BY OTHERS

- A. Preparation of opening will be by General Contractor. Any deviation of site conditions contrary to approved shop drawings must be called to the attention of the architect.
- B. All header, blocking, support structures, jambs, track enclosures, surrounding insulation, and sound baffles as required in 1.04 Quality Assurance.
- C. Prepunching of support structure in accordance with approved shop drawings.
- D. Paint or otherwise finishing all trim and other materials adjoining head and jamb of operable partitions.

#### 1.03 SUBMITTALS

- A. Complete shop drawings are to be provided prior to fabrication indicating construction and installation details. Shop drawings must be submitted within 60 days after receipt of signed contract.

#### 1.04 QUALITY ASSURANCE

- A. Preparation of the opening shall conform to the criteria set forth per ASTM E557 Standard Practice for Architectural Application and Installation of Operable Partitions
- B. The partition STC (Sound Transmission Classification) shall be achieved per the standard test methods ASTM E90.
- C. Noise isolation classifications shall be achieved per the standard test methods ASTM E336 and ASTM E413.
- D. Noise Reduction Coefficient (NRC) ratings shall be per ASTM C423.
- E. Rack testing for 10 years. (tensional strength stress test)
- F. The manufacturer shall have a quality system that is registered to the ISO 9001 standards.

#### 1.05 PRODUCT DELIVERY, STORAGE, AND HANDLING

- A. Proper storage of partitions before installation and continued protection during and after installation will be the responsibility of the General Contractor.

#### 1.06 WARRANTY

- A. Partition system shall be guaranteed for a period of two years against defects in material and workmanship, excluding abuse.

### PART 2 - PRODUCTS

#### 2.01 ACCEPTABLE MANUFACTURERS

- A. Upon compliance with all of the criteria specified in this section, Manufacturers wishing to bid products equal to the product specified must submit to the architect 10 days prior to bidding complete data in support of compliance and a list of three past installations of products similar to those listed. The submitting manufacturer guarantees the proposed substituted product complies with the performance items specified and as detailed on the drawings.

#### 2.02 MATERIALS

- A. Product to be top supported, manually operated, Series 633 continuously hinged (train) panels as manufactured by Hufcor Inc.
  1. Panels shall be nominally 3" [76] thick, to 48" [1219] in width, and continuously hinged.
  2. Panel faces shall be laminated to appropriate substrate to meet the STC requirement in 2.04 Acoustical Performance.
    - a. Optional face material (Not all substrates are available for all STC ratings. Consult your Hufcor Distributor for more information):  
Steel  
Non-steel
  3. Frames shall be of 16 gauge [1.42mm] painted steel with integral factory applied aluminum vertical edge and face protection.  
Optional: Face finish shall wrap around the vertical panel edges and provide no protective vertical face trim.
  4. Vertical sound seals shall be of tongue and groove configuration,

ensure panel-to-panel alignment and prevent sound leaks between panels.

5. Horizontal top seals shall be fixed continuous contact dual 4-finger vinyl.
  6. Horizontal bottom seals shall be fixed continuous contact dual 4-finger vinyl.
  7. Low profile hinges on basic panels shall be of steel and project no more than 1/4" [6] beyond panel faces. There shall be a minimum of four hinges per panel.
- B. Weight of the panels shall be 5.7-10.2 lbs. per sq. ft. [27.8-49.8kg/sq.m] based on options selected.
- C. Suspension system:
    1. Track shall be of clear anodized architectural grade extruded aluminum alloy 6063-T6. Track design shall provide precise alignment at the trolley running surfaces and provide integral support for adjoining ceiling, soffit, or plenum sound barrier. Track shall be connected to the structural support by pairs of minimum 3/8" [10] dia. threaded steel hanger rods. Guide rails and/or track sweep seals shall not be required.
      - a. Each panel shall be supported by one 4-wheeled carrier. Wheels to be of hardened steel ball bearings encased with molded polymer tires.
    2. Plenum closure (by others): Design of plenum closure must permit lifting out of header panels to adjust track height. Plenum closure required for optimum sound control of partition.

#### D. Finishes

1. Face finish shall be: (**select as required**):
  - a. Factory applied reinforced vinyl fabric with woven backing, weighing not less than 15 oz. per lineal yard [465 g/m]. Color shall be selected from manufacturer's standard color selectors.
  - b. Standard upgrade fabrics (color shall be selected from manufacturer's standard color selector):
    - (1) Factory applied vertical ribbed carpet (N.R.C. .20)
    - (2) Factory applied stain resistant fabric
  - c. Optional:
    - (1) Customer selected (requires factory approval for manufacturing compatibility)
    - (2) Unfinished for field decoration
    - (3) Wood veneer (factory installed on models with edge protection)
    - (4) High pressure laminate (factory installed on models with edge protection)
2. Exposed metal trim and seal color shall be (**select from Hufcor's Standard Trim selector**):
  - a. Lamb's Wool (standard)
  - b. Brown (standard)
  - c. Gray (standard)
  - d. Custom powder coated (optional upgrade for metal trim)
3. Aluminum track shall be clear anodized
  - a. Optional upgrade:
    - (1) Custom anodized
    - (2) Custom powder coated

#### E. Available Accessories/Options

1. ADA compliant pass door of the same thickness and construction as the basic panels. Pass door leaf has perimeter trim to protect face finish and to provide visual identification as required by International Building Code.
  - a. Automatic door closer
  - b. Door lock
  - c. Exit sign (consult your local code)
  - d. Prepped for window
2. Inset chalk/writing/projection surfaces
3. Inset tackboards
4. Inset eraser pocket
5. Segmented faces
6. Pocket doors
7. Inset chair rail pan (for field installation of chair rail).
8. Custom design options (consult your local Hufcor Distributor)



2.03 OPERATION

- A. To close opening, panels shall be manually moved from the stack area and pulled across the opening to the opposite wall.
- B. Final closure is by manually flattening the stack panel.
- C. To open partition, "break" the seal by applying pressure to the stack panel. The partition is manually moved to the stack area.

2.04 ACOUSTICAL PERFORMANCE

- A. Acoustical performance shall be tested at a laboratory accredited by the National Voluntary Laboratory Accreditation Program (NVLAP) and in accordance with ASTM E90 Test Standards. Partition shall have obtained an STC rating of \_\_\_\_ (select those required):  
41, 43, 47, 49, 51  
(Not all substrates are available in all STC ratings)
- 1. A complete, unaltered written test report is to be made available upon request.

B. Cleaning

- 1. All track and panel surfaces shall be wiped clean and free of handprints, grease, and soil.
- 2. Cartoning and other installation debris shall be removed to onsite waste collection area.

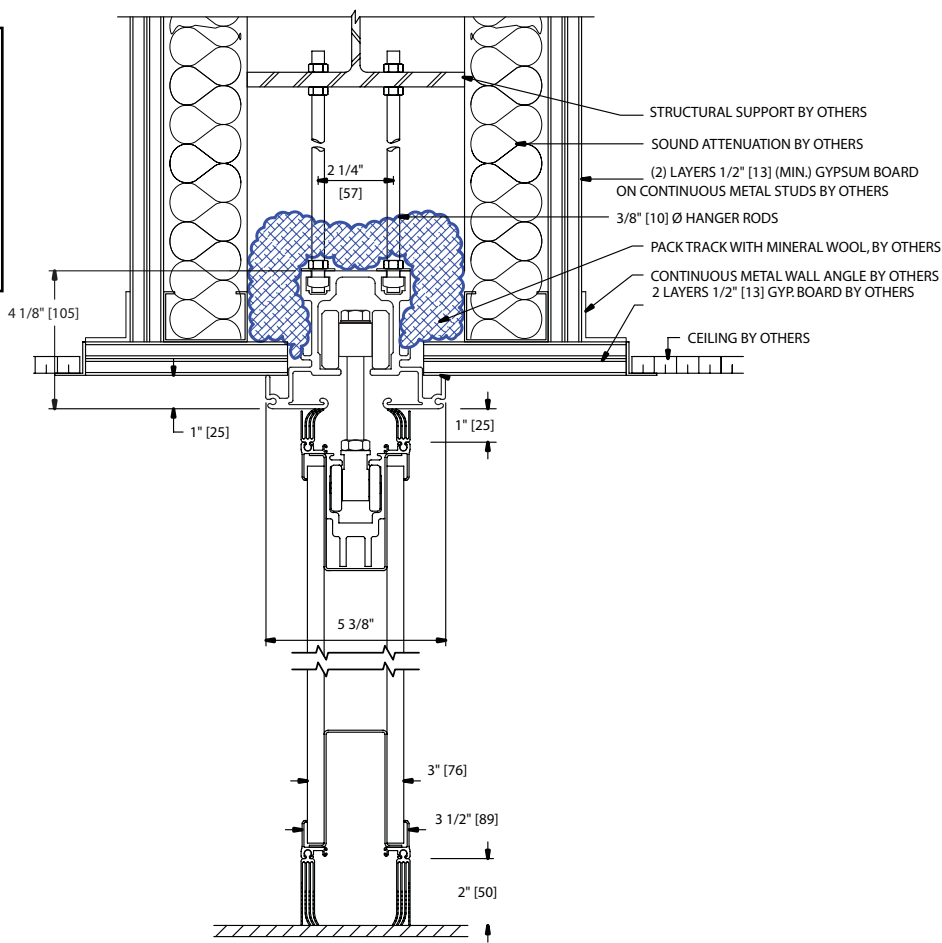
C. Training

- 1. Installer shall demonstrate proper operation and maintenance procedures to owner's representative.
- 2. Owners manuals shall be provided to owner's representative.

**PART 3 - EXECUTION**

- A. Installation. The complete installation of the operable wall system shall be by an authorized factory-trained installer and be in strict accordance with the approved shop drawings and manufacturer's standard printed specifications, instructions, and recommendations.

Header shown for plenum sound enclosure is one of several that may be used. See ASTM E557 Standard Practice for Archl Application & Installation of Operable Partitions for other recommendations.

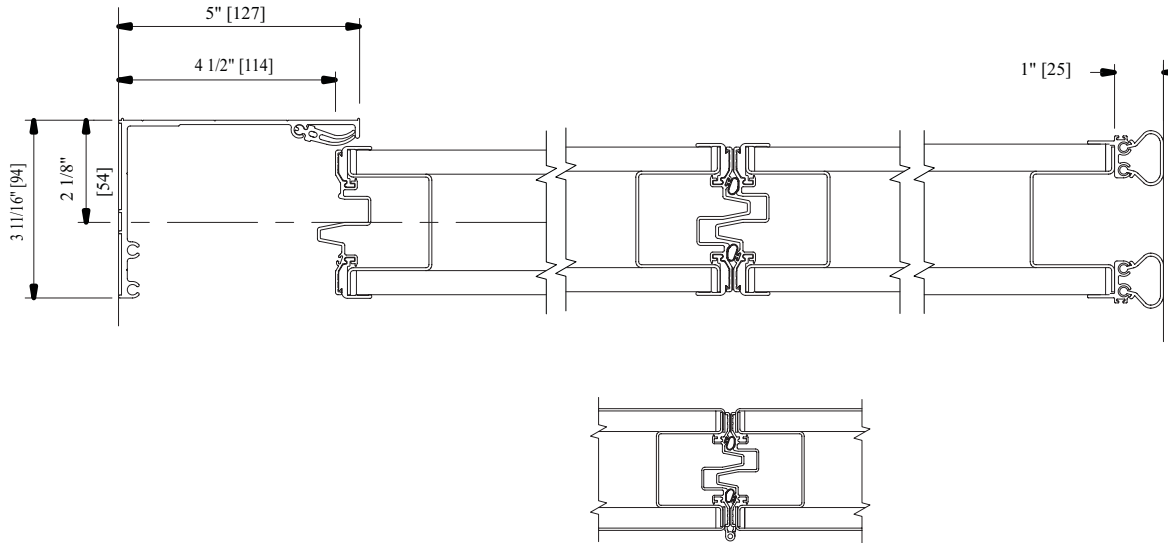


VERTICAL SECTION

# Manually Operated, Continuously Hinged Operable Partitions

## HORIZONTAL SECTION

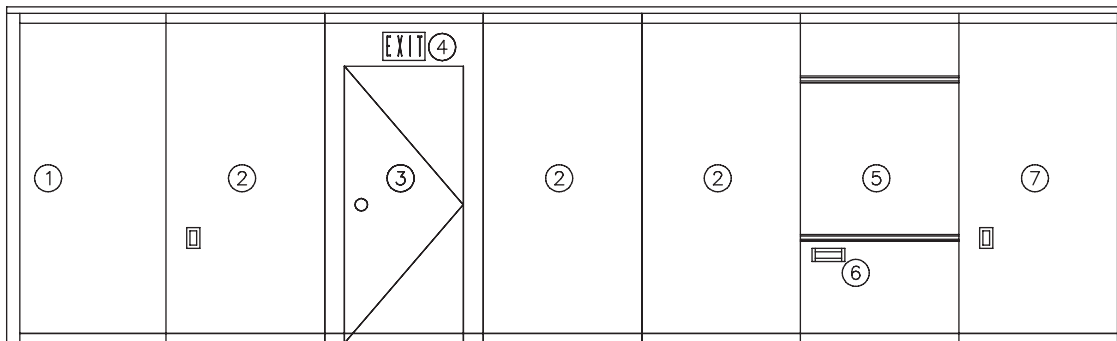
Solid blocking required at both ends.



Optional: No protective face trim panel joint.

## OPTIONS & ACCESSORIES

### ELEVATION



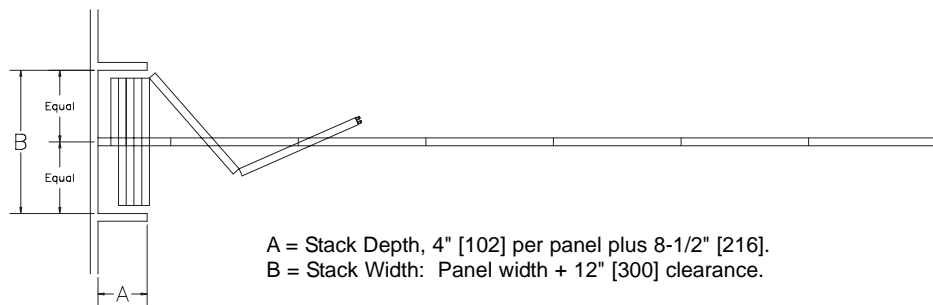
1. **Stack panel.** When manually positioned, completes the seal between the partition and the building structure.
2. **Basic panel**
3. **ADA compliant pass doors** - Single 3/0 x 7/0 [914 x 2132] or 3/0 x 6/8 [914 x 2030]. Of the same construction, thickness, and finish as the basic panels. Push/pull latching handle. Options include key lock, windows, and automatic door closer. No threshold is required.
4. **Exit Sign** - Recessed or surface mounted, self-illuminated.
5. **Work Surfaces** 4'0" [1219] high x panel width, recessed, mounted approx. 30" [762] above the floor:
  - a. Markerboards and projection/writing surfaces (from Hufcor standard color selector).
  - b. Tackboards of 2mm cork board covered with vinyl (from Hufcor standard color selector).
  - c. Chalk/marker tray (standard on chalk and projection/writing boards).
6. **Recessed Eraser Pocket** (8" x 2" x 1-1/4" deep [203 x 50 x 31]).
7. **Lead panel** with bulb seal to prevent sound leaks at adjacent wall.

## Manually Operated, Continuously Hinged Operable Partitions

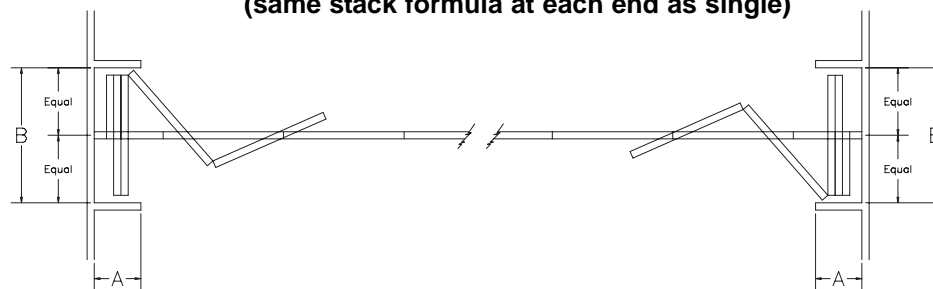
### STACK DIMENSIONS

The following stack depth and width dimensions are based on standard construction with vinyl faces. Optional construction and/or face covering may increase stack depth requirements.

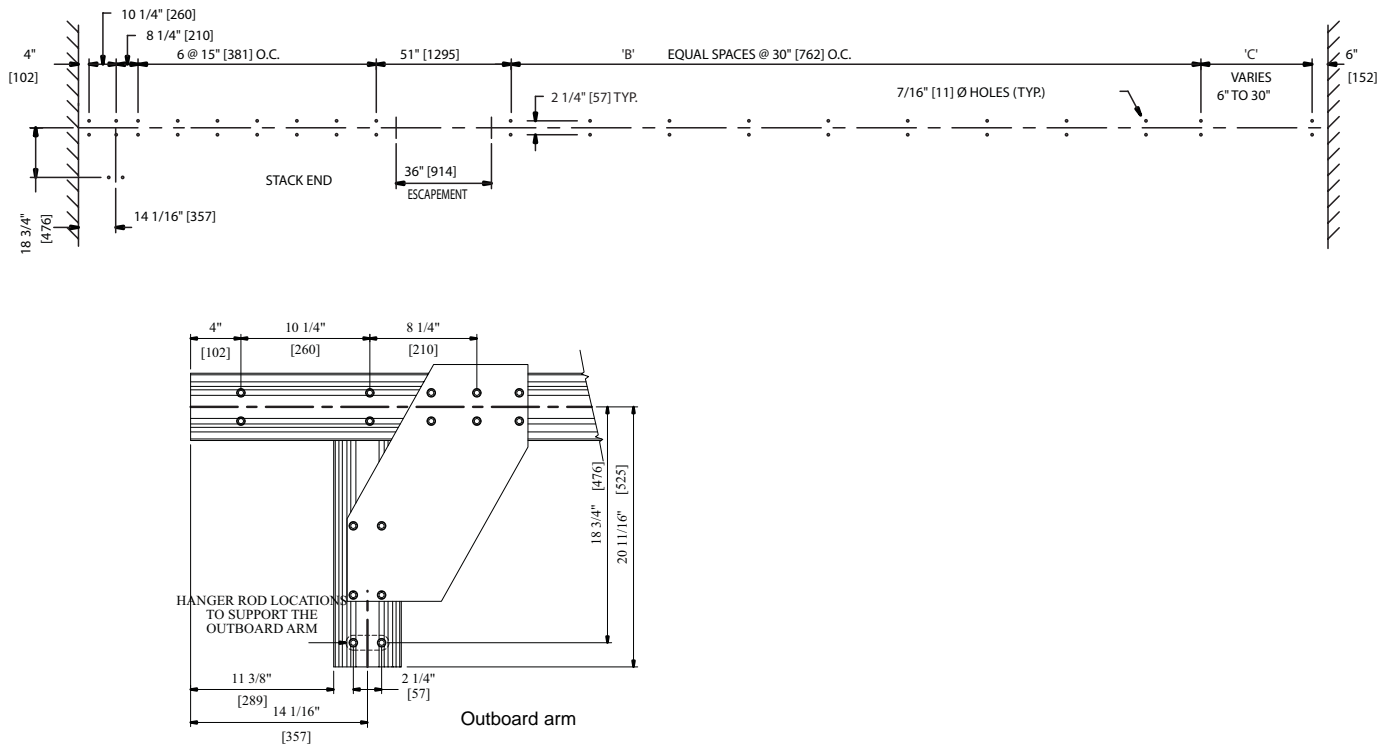
#### Single Opening



#### Optional - Bi-parting (same stack formula at each end as single)



## HANGER ROD LAYOUT



Hanging Weight		
STC	Lbs./Sq. Ft.	Kg./Sq. M
41	5.7	27.8
43	7.3	35.6
47	7.8	38.1
49	8.9	43.5
51	10.2	49.8

### World headquarters:

Hufcor Inc.  
 P.O. Box 591  
 Janesville, WI USA 53547-0591  
 1-800-542-2371 ext. 214; 1-608-756-1241  
 FAX: 1-608-758-8253  
 E-mail: info@hufcor.com  
 Website: www.hufcor.com

The manufacturer reserves the right to improve and change product without notice.