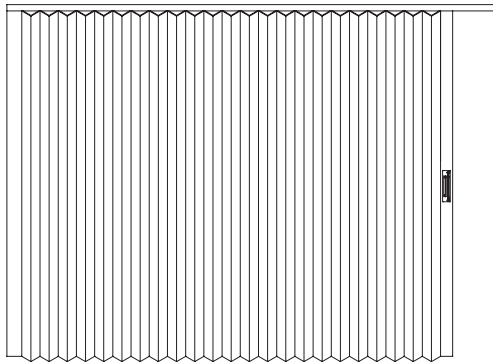


# SERIES 3100, 3500, 3900, & 4100 SPECIFICATIONS

## Accordion Partitions-Acoustical



### Top Supported

### Center Stack

### Manual or Electric Operation

**Maximum Opening Height:** 17'0" [5.15m]

### Maximum Width of

**Single Partition:** 40'0" [12.19m]\*

\*For wide openings, pairs may be used or additional partitions connected with an intermediate post.

**STC Ratings:** 31, 35, 39, & 41

### PRODUCT OVERVIEW:

**Accordion Partitions** (also called "doors") offer instantaneous room flexibility. They can be quickly moved into position to partially or completely close an opening. Accessories are available for the standard single door to be used as pairs, with intersecting doors, or be moved to alternate locations. Accordions are a popular choice for schools and religious facilities.

**Standard Features:** Two laminated covers with clean, crisp lines, multi-ply soft vinyl sweepstrip sound seals at the top and bottom of both sides, internal steel pantographs, steel lead and anchor posts support the pantographs at each end of the door, nylon-tired steel ball bearing carriers, dual Magnaseal® jamb, and mechanical latch/lock. Tie-backs are included to hold the door in the stacked position.

**How to Obtain:** Hufcor partitions are sold, installed, and serviced by factory-trained local authorized Distributors in the United States and by Licensees and Distributors outside the U.S.A.

**Delivery:** Partitions are custom built for your specific project. Lead times vary due to seasonal fluctuations. Check with your Distributor for the current schedule. If fast shipment is needed, quick ship programs are available.

**Warranty:** The pantographs, trolleys, and tracks are guaranteed for 10 years and the doors are guaranteed for two years.

### "Standard" Product Features and Benefits:

Look for these features when comparing similar products.

- Feature:** Laminated cover.  
**Benefit:** The strong, durable covers are impact-resistant and provide years of use. The laminated construction forms attractive clean, crisp lines. The covers won't sag or bag over time.
- Feature:** Precision-engineered steel internal pantograph.  
**Benefit:** Assures years of smooth, easy movement, even through intersections and curves.
- Feature:** Full height Magnaseal® dual-magnetic closure.  
**Benefit:** Magnetic strips in the jamb allow ease of closure and help to seal out sound.
- Feature:** Nylon-covered, steel ball bearing carriers.  
**Benefit:** The steel ball bearing carriers are extremely durable and will last for the life of the door. The nylon tires provide smooth, quiet movement.
- Feature:** 4-wheel nylon-tired, adjustable lead carrier.  
**Benefit:** Keeps the lead post plumb with the wall for tight acoustical seal and easy operation.
- Feature:** Registration slip inside every door.  
**Benefit:** The registration slip is a permanent record of the door's details. If the door should ever need repair, or if you want to change the color, the Hufcor representative can obtain all the information needed to order replacements.



Optional track systems and accessories enable the standard product to be modified for optimum versatility. See details provided or just ask your Hufcor representative for the features you want.

# GENERAL SPECIFICATIONS/SERIES 3100, 3500, 3900, 4100

## Accordion Partitions

### PART 1 - GENERAL

#### 1.01 DESCRIPTION

##### A. General

1. Furnish and install accordion partitions and suspension system. Provide all labor, materials, tools, equipment, and services for accordion walls in accordance with provisions of contract documents.

#### 1.02 RELATED WORK BY OTHERS

- A. Preparation of opening will be by General Contractor. Any deviation of site conditions contrary to approved shop drawings must be called to the attention of the architect.
- B. All header, blocking, support structures, jambs, track enclosures, surrounding insulation, and sound baffles as required in 1.04 Quality Assurance.
- C. Pre-punching of support structure in accordance with approved shop drawings.
- D. Paint or otherwise finishing all trim and other materials adjoining head and jamb of accordion partitions.

#### 1.03 SUBMITTALS

- A. Complete shop drawings are to be provided prior to fabrication indicating construction and installation details. Shop drawings must be submitted within 60 days after receipt of signed contract.

#### 1.04 QUALITY ASSURANCE

- A. Preparation of the opening shall conform to the criteria set forth per ASTM E557 Standard Practice for Architectural Application and Installation of Operable Partitions
- B. The partition STC (Sound Transmission Classification) shall be achieved per the standard ASTM E90 test method.
- C. Noise isolation classifications shall be achieved per the standard test methods ASTM E336 and ASTM E413.
- D. Noise Reduction Coefficient (NRC) ratings shall be per ASTM C423.
- E. The manufacturer shall have a quality system that is registered to the ISO 9001 standards.

#### 1.05 PRODUCT DELIVERY, STORAGE, AND HANDLING

- A. Proper storage of partitions before installation and continued protection during and after installation will be the responsibility of the General Contractor.

#### 1.06 WARRANTY

- A. The installation shall be guaranteed against defects in materials and workmanship for a period of two years from date of installation and acceptance for beneficial use. In addition, the pantographs, trolleys, and tracks are guaranteed for 10 years from the date of acceptance for beneficial use.

### PART 2 - PRODUCTS

#### 2.01 ACCEPTABLE MANUFACTURERS

- A. Upon compliance with all of the criteria specified in this section, Manufacturers wishing to bid products similar to the product specified must submit to the architect 10 days prior to bidding complete data in support of compliance and a list of three past installations of products similar to those listed. The submitting manufacturer guarantees the proposed substituted product complies with the product specified and as detailed on the drawings.

#### 2.02 MATERIALS

- A. Product to be top supported, manually operated (**select one**): Series (3100) (3500) (3900) (4100) accordion partition as manufactured by Hufcor Inc.  
(Optional upgrade: Partition shall be electrically operated.)
  1. Covers will be semi-rigid laminated construction with manufacturer's standard vinyl fabric providing wrinkle-free impact resistant surfaces. Series 3500-4100 covers shall have steel strips laminated within each fold for acoustical purposes. Covers shall be removable and replaceable in the field.
  2. Covers shall have multi-ply sweepstrips top and bottom both sides of the partition for acoustical seal. The top sweepstrips shall be 1/2" [13] and the bottom sweepstrips shall be 1-1/2" [38].
    - a. Optional upgrade:
      - (1) Bottom sweepstrips shall be 2" [51] to compensate for out-of-level floor conditions.

- (2) Bottom sweepstrips shall be 3" [76] to compensate for out-of-level floor conditions.

3. The internal framing shall be of 14 ga. steel riveted to form "X" construction pantographs. Pantographs shall provide even extension and contraction without binding on straight runs of track or on curves. Pantographs shall have built-in stops to prevent over-extending. Partition shall have pantographs located at top and bottom, plus intermediate pantographs located no more than 4' [1219] on center for heights over 8' [2.438m].
4. Vertical steel channel posts shall support pantographs at each end of the partition.
5. The lead post shall be trimmed with clear anodized aluminum and include mechanical latching and pull handles.
6. Weight of the door, in lbs. per sq. ft., shall be

	3100	3500	3900	4100
	2.7	3.0	3.7	4.3

#### B. Suspension System:

1. Track shall be of clear anodized architectural grade extruded aluminum alloy 6063-T6 and be as specified by manufacturer for best performance as governed by overall size and weight of partition.
2. Partition shall be supported by a 4-wheeled carrier at the lead post. Wheels to be of nylon-tired steel ball bearings. The lead carrier shall be adjustable to maintain proper alignment of the lead post to the jamb.
3. Intermediate carriers shall be spaced 18" [457] on center and have two wheels of nylon-tired steel ball bearings.

#### C. Finishes

1. Face finish shall be: (**select as required**):
  - a. Factory applied reinforced vinyl fabric with woven backing, weighing not less than 21 oz. per lin. yard. Color shall be selected from manufacturer's standard color selector.
  - b. Standard upgrade fabrics (color shall be selected from manufacturer's standard color selector):
    - (1) Factory applied vertical ribbed carpet (N.R.C. .20)
    - (2) Factory applied stain resistant fabric
  - c. Optional:
    - (1) Customer selected (requires factory approval for manufacturing compatibility)

#### D. Available Accessories/Options

1. Locks - one or both sides
  - a. Hufcor standard 3/4" dia. [19]
  - b. Master keyed to building system, customer supplied
2. Track channel
3. Track configurations
  - a. Curved tracks
  - b. X, T, & L intersections
  - c. Switches for partition use in alternate locations
    - (1) glide switch
    - (2) crossover switch
4. Posts for attaching multiple doors
5. Sliding jamb board
6. Cremona bolt
7. Pendant pulls
8. Over-the-counter sizes

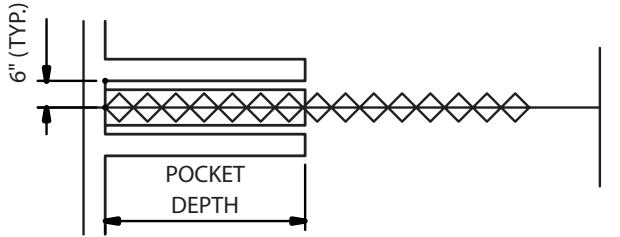
#### 2.03 OPERATION

- A. Accordion door shall be manually moved from the storage area, pulled across the opening, and latched into the full height dual Magnaseal® jamb with the latching handle.  
(Optional: The accordion door shall be electrically moved into the opening. The motor drive unit shall seal the door into position.)
- B. Stack/Store Panels
  1. The handle is manually unlatched and the door is moved into the stacked position.  
(With electric operation, turn the key in the switch to stack the partition.)





## PLAN VIEW



### Stack Width:

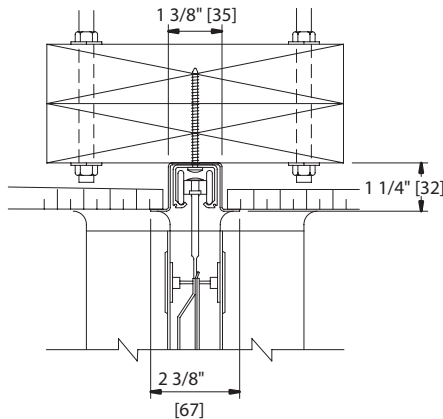
**Extended:** 5-1/2" [140]

**Stacked:** 7-1/2" [191]

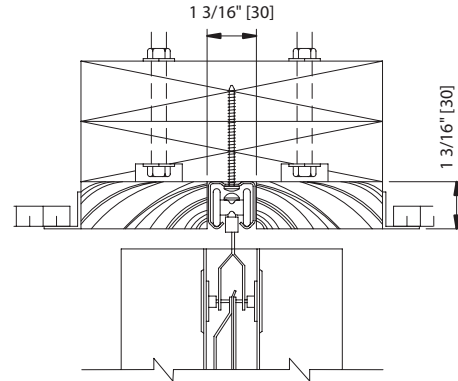
If the door is stored in a pocket allow 7-1/2" [191 plus 4" [100]. (The door will sway somewhat during movement and the additional space prevents the door edges from hitting the sides of the pocket.)

**Stack Depth:** 1.9" per lin. ft. + 3" [158 + 76] for vinyl and fabric. Add 30% to stack dimension for optional carpet surfaces.

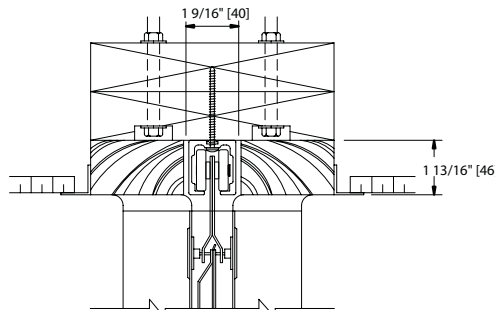
## OPTIONAL TRACKS - Optional tracks are available and may be used providing they meet Hufcor size guidelines.



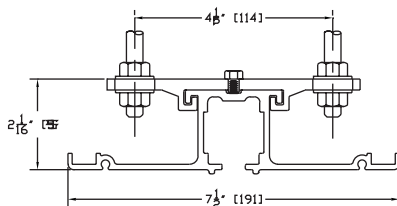
**Type 50 clear anodized aluminum track.** Shown exposed. Optional for Series 3100, 3500, & 3900 widths to 20'0" OR heights to 10'0" [6.09x3.04]. If either dimension is exceeded, use alternate track type. Not available for Series 4100.



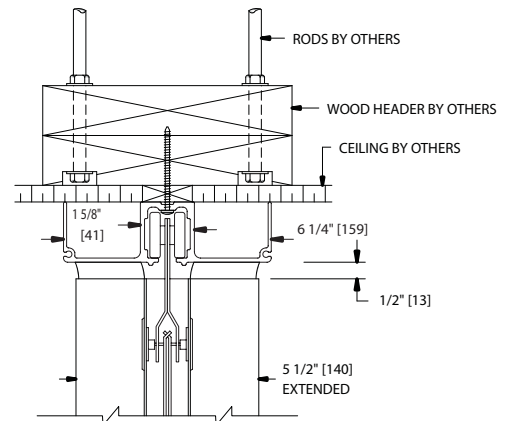
**Type 50 clear anodized aluminum track.** Shown recessed. Optional for Series 3100, 3500, & 3900 widths to 20'0" OR heights to 10'0" [6.09x3.04]. If size of either dimension is exceeded, use alternate track type. Not available for Series 4100.



**Type 71 clear anodized aluminum track.** Optional for all sizes. Must be recessed.



**Type 15 clear anodized aluminum track** may be direct attached or suspended from hanger rods. Shown with suspension bracket for hanger rod suspension. Optional for all sizes. Must be exposed.



**Type 18 clear anodized aluminum track.** Includes built-in ceiling saver and header trim. Optional for all sizes. Must be exposed.

### Worldwide headquarters:

Hufcor Inc.  
P.O. Box 591  
Janesville, WI USA 53547  
1-800-542-2371 ext. 214; 1-608-756-1241  
FAX: 1-608-758-8253  
E-mail: info@hufcor.com  
Website: www..hufcor.com

The manufacturer reserves the right to improve and change product without notice.