



**SERIES 600 MANUALLY OPERATED
CONTINUOUSLY HINGED (TRAIN) PARTITIONS**

WARRANTY

Hufcor Partitions are guaranteed against defects in material and workmanship for a period of two years. Refer to your Hufcor Limited Warranty Certificate for additional details.

The Hufcor Partitions for this installation have been custom made to the architect's and owner's specifications. Each partition has been carefully fabricated and installed to provide many years of trouble-free service.

The key to the life of the product is proper operation and care. The correct operation and recommended care are outlined in this Owners Manual for your guidance.

If any malfunction of these partitions occurs, please phone your local Hufcor Distributor for service. This must be done immediately since Hufcor cannot be responsible for damages which result from delays or failure to advise Hufcor or Hufcor's local Distributor.

This partition was sold and installed by:

When calling either your Hufcor Distributor or Hufcor, please have the following information:

Job Name:

Hufcor Order #:

Installation Date:

Description of the Problem:

Person to Contact:

IMPORTANT: *Be certain to read through these operating instructions before moving your panels. An overall understanding of how to move the partition will prevent accidental damage. Make certain everyone who moves the panels has been trained in their proper operation. Your Hufcor Representative will be happy to provide training assistance if needed.*

Continuously Hinged (train) Partitions consist of panels hinged together and supported by one carrier on each panel. Panels have sweep bottom seals. Panels are manually moved into the opening.

General Information:

- 1. Only personnel who have been trained in accordance with these operating instructions should be permitted to operate these partitions.
- 2. Perform each operation **SLOWLY**.
- 3. Never force or apply pressure to panels while moving them into or out of the storage area. If the panel becomes stuck or caught, slowly reverse direction and try again. Repeated hang up at the same point should be investigated before continuing. Forcing panels may cause damage to track and carrier.
- 4. Report any malfunction at once.

Setting Up A Partition (Move partition from the stacked to extended position.)

- 1. Pull the first panel or two away from the stack. (Fig. 1).
- 2. Using pull handle, walk partition across the opening. Continue until lead edge is close to wall (Fig. 2).
- 3. Go to stack end of partition and push last joint flat. (Fig. 3a & b)

Fig. 1

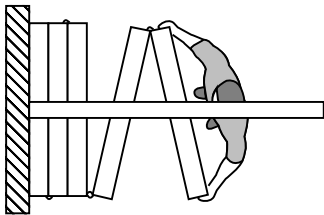


Fig. 2

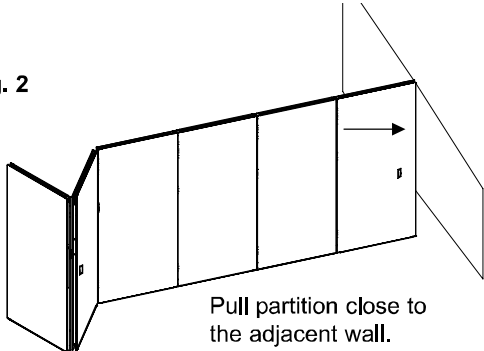


Fig. 3a

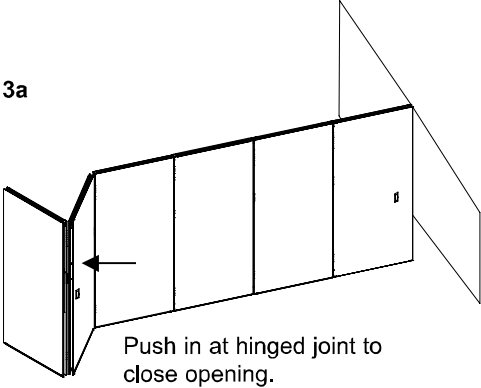
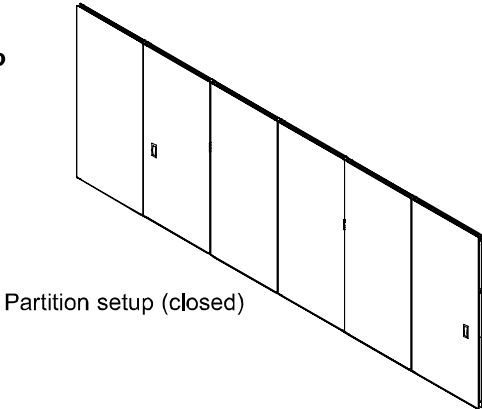


Fig. 3b



Optional Pass Door Panel-Setup

U-Shaped (single style), Fig. 4: The pass door has bottom sweep seals. No separate setup or takedown procedure is needed.

Make certain the door is securely closed before retracting (storing) the partition.

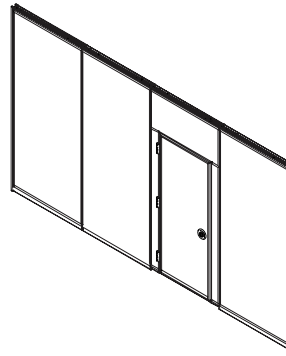


Fig. 4

To Open Partition - (Move partition from extended to stacked position.)

If you have an optional pass door, make certain the door is securely closed before retracting (storing) the partition.

1. Reverse the setup procedure. Start unfolding the partition by pushing on the hinged joint at the stack end of the partition. Push on the hinged joint until the last two panels are at an angle. (Fig. 5 & 6)
2. Go to front of partition. Hold onto the handle to pull the partition toward the stack area. An alternate is to push on lead edge of the first panel and push against it while the panel folds into the stack. (Fig. 7 & 8)
3. Continue until all panels are stacked flat against each other. (Fig. 8)

Fig. 5

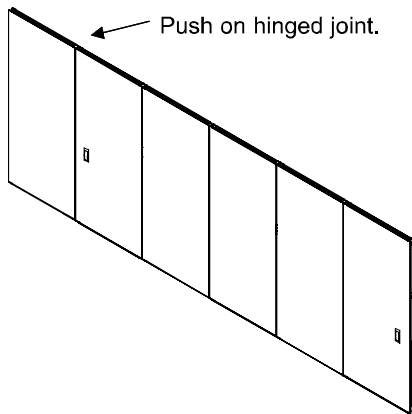


Fig. 6

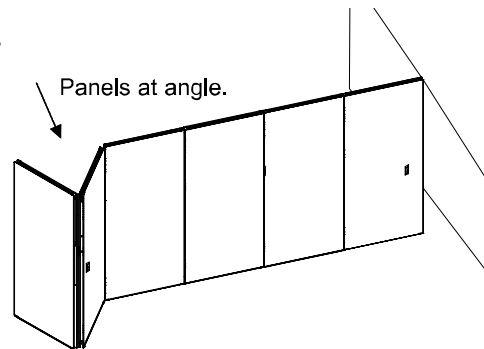


Fig. 7

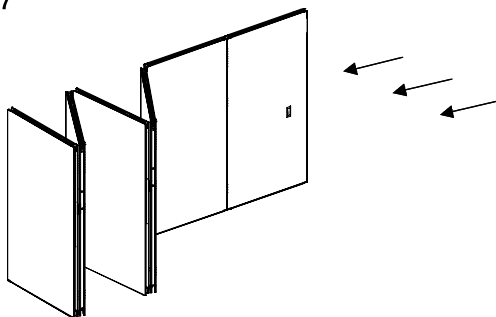
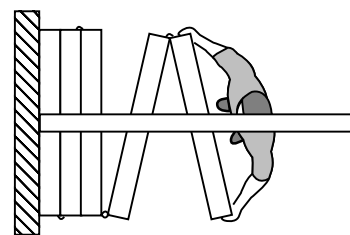


Fig. 8



CARE AND MAINTENANCE

Visit our website for specific cleaning/maintenance instructions, www.hufcor.com/Products/Care & Cleaning.

VINYL FABRIC SURFACE AND EXPOSED TRIM AND SEALS

The vinyl surface of your Hufcor partition may be cleaned with warm water and mild soap. Sponge the surface clean and wipe dry with a soft cloth. A soft brush may be used if dirt is difficult to remove. Carbon tetrachloride may be used for removal of grease and oil.

CAUTION: Do not use lacquer thinner or other strong chemicals except those listed above. Many floor cleaning materials contain chemicals harmful to vinyl. Care should be taken when using such compounds near the partition.

CARPET/FABRIC SURFACE: Commercial carpet cleaners may be used to clean carpeted surfaces. Follow the manufacturer's listed instructions.

MARKER BOARDS: Clean regularly with mild soap and water. To prevent soap buildup, rinse well with clean water.

DAMAGE: Your Hufcor partition is of a unique construction that permits replacement of individual parts. Report all damage promptly to your local Hufcor Distributor. Repairs may only be made by an authorized Hufcor representative who will only use genuine Hufcor parts.

RECOMMENDED PREVENTIVE MAINTENANCE

As with all fine machinery, regular maintenance and adjustments are required to keep your Hufcor partitions performing properly for many years. Contact your local Hufcor representative to perform an annual inspection (six months if your partitions are used frequently). Regular care will keep your partitions in good working condition and prevent emergency service calls or costly repairs. An annual inspection includes:

1. Clean and lightly lubricate all track running surfaces.
2. Check trolleys for any signs of abnormal wear or breakage.
3. Check out-of-plumb panels (indicating loose trolley bolts).
4. Check any exposed bolts in panel vertical edges.
5. Check track alignment at all joints and intersections.
6. Check final closure and adjust as needed.
7. Check and make sure all sound seals are functioning properly.
8. Operate pass door and adjust as needed.
9. Check for torn or malfunctioning sound seals.

Hufcor, Inc.

PO Box 591, 2101 Kennedy Rd., Janesville, WI 53547
800/356-6968; Service & Installation Dept: 800/542-6870 or 608/756-1241; FAX: 608/756-1246
E-Mail: info@hufcor.com . Website: www.hufcor.com